



ISO 9001:2008
Zert.-Nr. 01 100 89747



Maß und Präzision in Kunststoff



ISO 14001:2004
Zert.-Nr. 01 104 069609

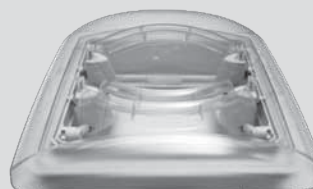
Metall- und Plastikverarbeitungs- GmbH & Co. KG Kierspe

Internet: www.mpk-kierspe.de

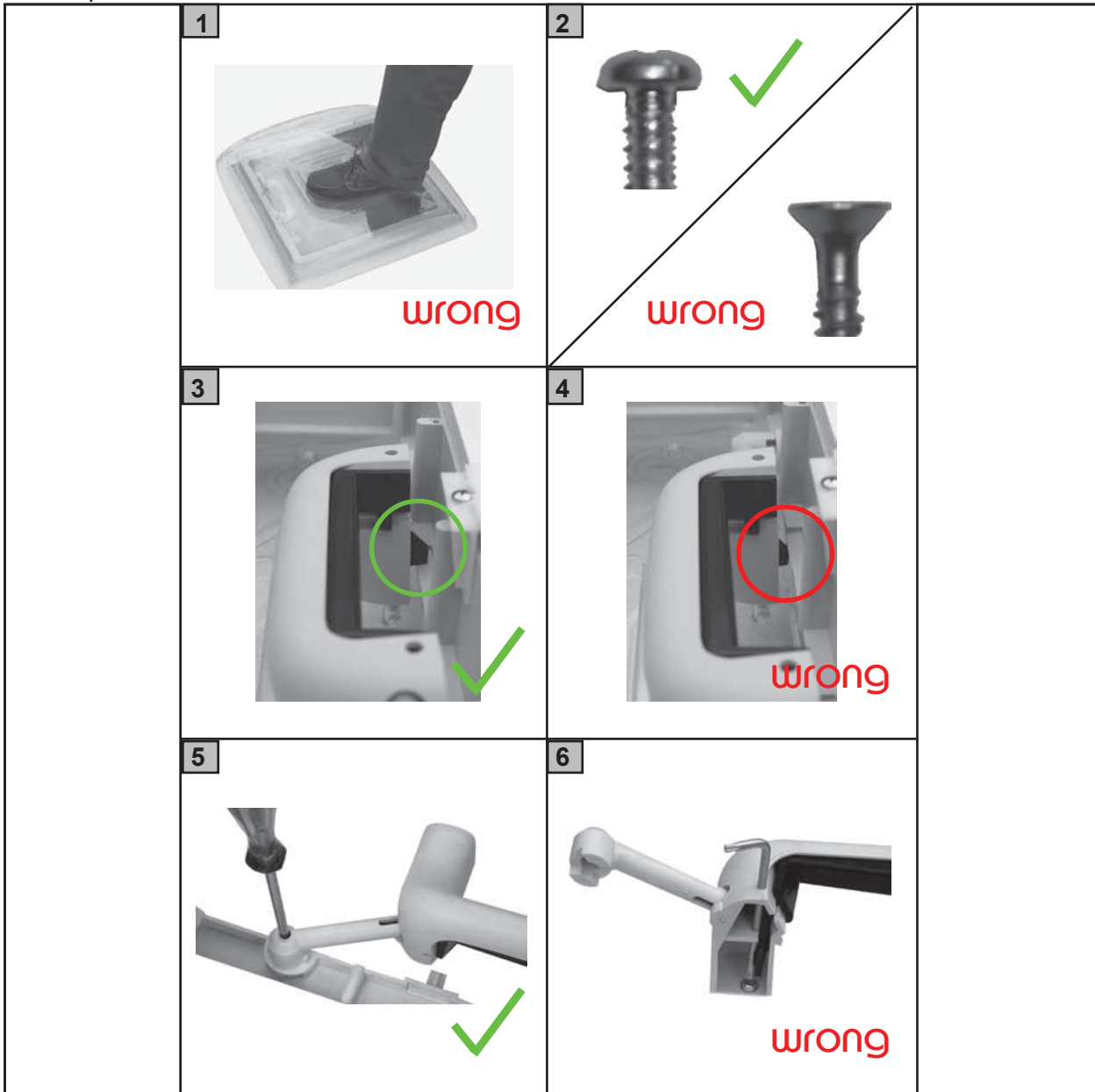
Fitting and Operating Instructions



Rooflight VisionVent S_{eco} - Model 2751/ 2753 Rooflight Model 29



Illustration



We only recommend installation by authorised dealers.

Please read these instructions carefully before fitting and operating the rooflights.

Important: We cannot be held responsible for incorrect fitting, handling or operation.

Any product faults relating to the production and materials used should be notified to us via an authorised dealer immediately.

Fitting Instructions

Warning!



Never stand on the dome of the rooflight!
(See picture 1)

Fitting position



Choose a fitting position that will not interfere with other roof mounted components (e.g. roof-racks/antenna's etc.) and avoid internally installed electrical cables and furniture, which could impede the correct operation of the rooflight.

The rooflight should only be fitted to a flat roof surface, both internally and externally.

Aperture size

280x280 mm (see technical data page 5)

Roof Thickness

Ensure the correct rooflight is selected for the roof thickness. (For available size options see page 6.)

Fitting direction

Rooflights must only be fitted with the operating handles facing the front and rear of the vehicle, not across the vehicle.

Fixing screws

Secure only with pan, or round headed screws (not supplied), 3,5 mm/ head according to DIN ISO 7049 (DIN7981).

Screw size: When fully tightened the screw should enter the outer frame about 10 mm.



Do not use countersunk screws as they will damage the rooflight frame. (See picture 2)

Sealing



Use only long term flexible sealant, suitable for external use, (not supplied), and also suitable for the material of the upper frame. Consult your sealant supplier.

Fitting

Before fitting the rooflight, remove the flynet, (with optional roller blind if fitted). The flynet is clipped into place, and is removed by first opening fully and pulling away from the frame. Reverse the process to install. Attention: to avoid damage, do not bend the flynet frame.

Correctly align the upper and lower frames and secure evenly with the screws. Do not over-tighten as this may damage the frame, or affect the correct operation of the rooflight. If the inner frame starts to distort, the correct torque has been reached.

Screws not supplied.

Operation Instruction

Instruction for use

The rooflight can be opened fully, or in four different directions, so that the dome can be angled against driving weather conditions. To open squeeze the locks (optional) into the handles and push open. To open the flynet, pull down on the handle. Do not open more than 90°, to avoid damaging the hinges. When closing the flynet click back into place. The roller blind (optional) can only be operated with the flynet in the open position.

Free-air-flow



When closed there is a free airflow through the rooflight, which must be kept free at all times. (See technical data page 6.)

Before driving



IMPORTANT: All rooflights must be closed and locked down before travelling. (See picture 3-4)

Care Instructions

Cleaning



The rooflight should only be washed by hand, using a sponge with plenty of clean water to avoid scratching. Caustic detergents and solvents may attack the plastic and make it brittle or disintegrate.

For easier cleaning of the dome it can be removed from the frame by releasing the four screws holding the handle arms (Models from March 2008, Torx TK9 screws. Earlier models had cross recess screws). (See picture 5)



Make sure that only the original screws are used when replacing the dome and that they enter the thread in the plastic correctly. Do not overtighten.



Never remove the screws holding the dome and the handles together. (See picture 6) These are secured by a torque screwdriver and should only be handled by an approved dealers.

Remove the flynet, (with optional roller blind if fitted). The flynet is clipped into place, and is removed by first opening fully and pulling away from the frame. Reverse the process to install. Attention: to avoid damage, do not bend the flynet frame. Clean the flynet mesh and the roller fabric (if fitted) the same way as the dome, making sure that the metal components of the blind remain dry.

Technical Information

Product description

- Clear, smoked or opaque domes with free airflow
 - Spring assisted mechanism, with locks
 - Concealed fixing screws
- Removable flynet, optional roller blind
- ECE R43 Whole Vehicle Type Approved
(Please ask for further details.)

Technical Data:

Aperture:		280 x 280 mm
Corner radius:		R = 18 mm
Size dome:	Mod. 29	330 x 330 mm
	Mod. 2751/ 2753	380 x 395 mm
Height over roof:	Mod. 29	78 mm
	Mod. 2751/ 2753	80 mm
Free-air-flow:	Mod. 29	60 cm ²
	Mod. 2751/ 2753	100 cm ²
Outer frame material:		Polypropylene
Dome material model 29:		Polypropylene
Model 2751/ 2753		PC + Polypropylene

Model Options

Model 29 (opaque dome)

<u>white</u>	<u>grey</u>	<u>beige</u>	<u>roller</u>	<u>net</u>	<u>roof thickness</u>	<u>weight</u>
290VNW	290VNG	290VNB	---	X	24 - 46 mm	1180 g
290VNRW	-----	290VNRB	X	X	24 - 46 mm	1280 g
291VNW	291VNG	291VNB	---	X	42 - 72 mm	1250 g
291VNRW	-----	291VNRB	X	X	42 . 72 mm	1350 g

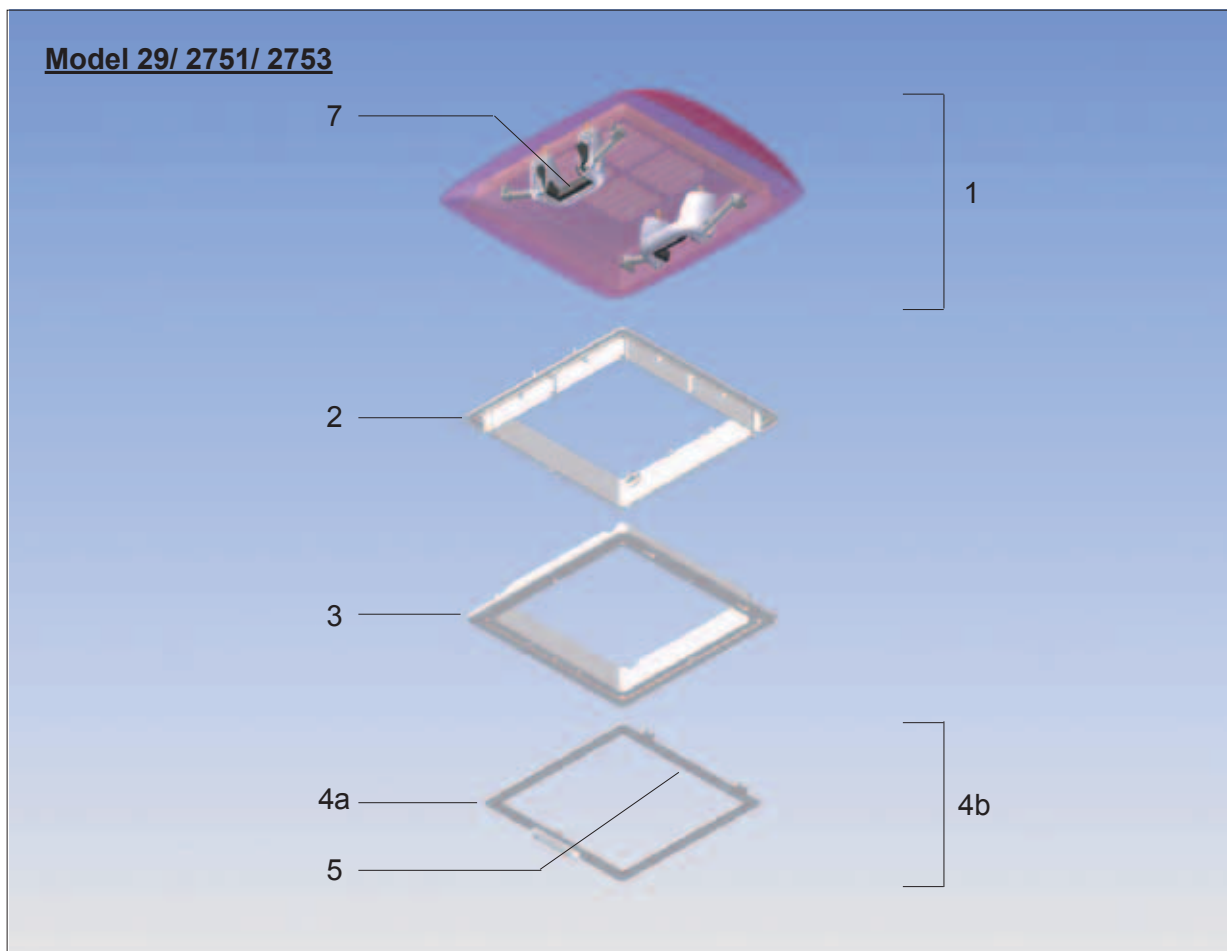
Model 2751 (clear dome)

<u>white</u>	<u>grey</u>	<u>beige</u>	<u>roller</u>	<u>net</u>	<u>roof thickness</u>	<u>weight</u>
2751VNW	2751VNG	2751VNB	---	X	24 - 46 mm	1400 g
2751VNRW	-----	2751VNRB	X	X	24 - 46 mm	1500 g
2761VNW	2761VNG	2761VNB	---	X	42 - 72 mm	1470 g
2761VNRW	-----	2761VNRB	X	X	42 . 72 mm	1570 g

Model 2753 (smoked dome)

<u>white</u>	<u>grey</u>	<u>beige</u>	<u>roller</u>	<u>net</u>	<u>roof thickness</u>	<u>weight</u>
2753VNW	2753VNG	2753VNB	---	X	24 - 46 mm	1400 g
2753VNRW	-----	2753VNRB	X	X	24 - 46 mm	1500 g
2763VNW	2763VNG	2763VNB	---	X	42 - 72 mm	1470 g
2763VNRW	-----	2763VNRB	X	X	42 . 72 mm	1570 g

Spare parts



No.	Spare parts	beige	Colour frame:	
			white	grey
1a	Replacement opaque dome complete with handles for model 28-29	290.52B	290.52W	290.52G
1b	Replacement clear dome complete with handles and locks for model 2751	2751.52VB	2751.52VW	2751.52VG
1c	Replacement smoked dome complete with handles and locks for model 2753/ 2763	2753.52VB	2753.52VW	2753.52VG
2a	Outer frame for model 28 - 29 - 2751/ 2753 for roof thickness 24-46mm	280.22B	280.22W	280.22G
2b	Outer frame for model 291/ 2761/ 2763 for roof thickness 46 - 72 mm	291.21B	291.21W	291.21G
3	Inner frame for model 29/ 2751/ 2753	290.21B	290.21W	290.21G
4a	Flynet frame for model 29/ 2751/ 2753	290.5B	290.5W	290.5G
4b	Flynet frame with roller blind for model 29/ 2751/ 2753	290.5RB	290.5RW	-----
5	Roller blind for model 29/ 2751 2753	290.7B	290.7W	-----
7	Locking device for model 2751/ 2753	270.99S	270.99S	270.99S
8	Torx screws for handles	8000.4	8000.4	8000.4